

Disc Mowers

# Mounted & Trailed



[www.KuhnNorthAmerica.com](http://www.KuhnNorthAmerica.com)



**Invest in Quality<sup>®</sup>**



## THE NEXT GENERATION OF KUHN MOWERS: BENEFIT FROM 50 YEARS OF EXPERIENCE

As the creator and worldwide industry leader, Kuhn knows disc mowers. From the original model, made in the early 60's, to the industry leading mounted and trailed models of today, Kuhn designs mowers to fit your needs. Whether it's smaller and economical or wider and feature-rich, our aim is always the same—make simple to operate, highly dependable clean-cutting machines.

### MAXIMIZE THE VALUE OF YOUR HAY

Cows don't like to eat dirt. The first and most important step to limit dirt in your hay crop is a clean cut that leaves an even height of stubble for your crop to dry down on. With Kuhn cutterbars, little to no cutterbar tilt is required, which reduces dirt and rock intake while leaving a consistent stubble height. Our focus on cutterbar suspension allows for maximum adaptability in various ground conditions.

### SAVE TIME AND ENJOY STRESS-FREE USE

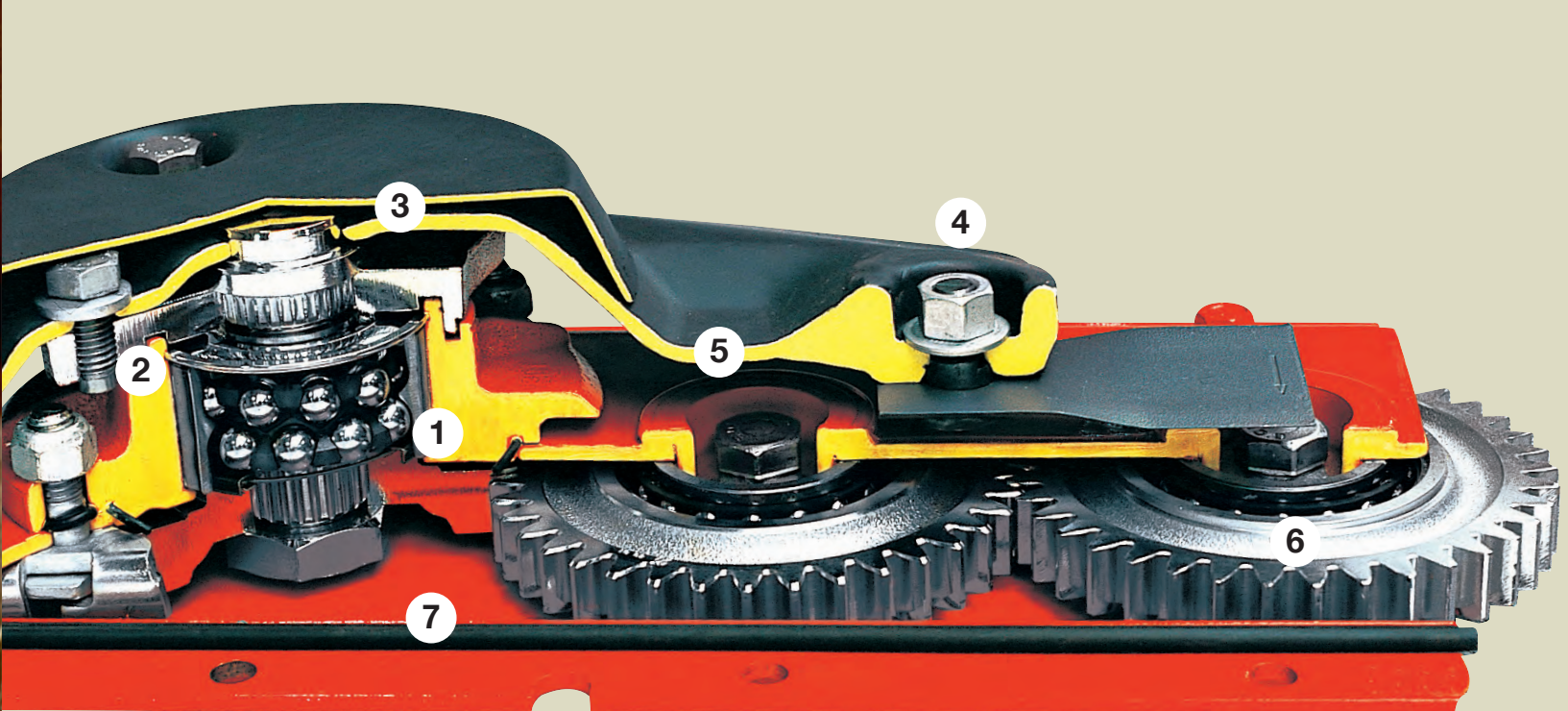
Whether it's the world renowned 100 Series or the heavy-duty, low-maintenance Optidisc, Kuhn cutterbars stand for dependability and high-quality cutting. All Kuhn mowers have been designed to adjust and operate as simply as possible.

### DISC MOWERS in brief:

Models	Working Width	Horsepower Requirement	Mower Type
GMD 16	5'3"	30	Select Mounted
GMD 20	6'7"	35	Select Mounted
GMD 24	7'10"	45	Select Mounted
GMD 28	9'2"	50	Select Mounted
GMD 240	7'10"	45	Premium Mounted
GMD 280	9'2"	50	Premium Mounted
GMD 310	10'2"	55	Premium Mounted
GMD 350	11'6"	90	Premium Mounted
GMD 3511	11'6"	93	Horizontal Fold Mounted
GMD 4011	13'	110	Horizontal Fold Mounted
GMD 4411	14'3"	120	Horizontal Fold Mounted
GMD 2850 TL	8'10"	40	Trailed
GMD 3150 TL	10'2"	47	Trailed
GMD 3550 TL	11'6"	54	Trailed
GMD 4050 TL	13'	60	Trailed
GMD 5251 TC	17'1"	90	Trailed - Center Pivot







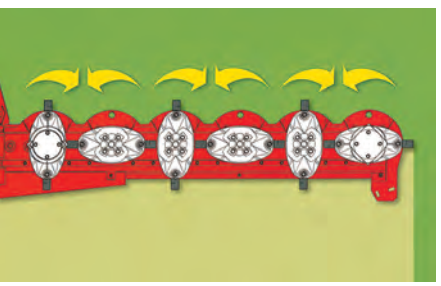
# CLEAN CROP FOR HIGHER REVENUES

In the current environment of fluctuating grain and concentrate prices, the quality of forages is more important than ever. Mowing is the first important step in the hay and silage making process with several adjustments to be made in order to ensure optimal nutritional value of the forage. Kuhn mowers have evolved in order to harvest all the crop's potential value. This has happened by listening to farmers' needs and translating them into specific solutions.



### CUTTING AT THE RIGHT HEIGHT

- Less impurities are incorporated into the crop, not only when mowing but also during the following harvesting operations.
- The right cutting height is important to produce high-value forage. If cut too close to the ground, undesirable weeds and plants may have a better chance to grow.
- Last but not least, crop yield and regrowth are increased by preserving the plant's crown, which contains the sugar reserves of the plant and the new buds.



### CROP MUST BE CUT, NOT CHOPPED UP

The crop should be quickly ejected into the swath and only cut once. Double-cutting causes higher crop loss and increases the power requirement on the tractor. On Kuhn mowers each pair of discs is driven with a converging rotation. This ensures that no double-cutting will occur to reduce your crop's quality.

# TAKE A CLOSER LOOK AT DECADES OF PROVEN RELIABILITY

Some disc mowers may look like a Kuhn from the outside. However, it's what is on the inside that counts. Kuhn's design and construction standards ensure a long life and reliable operation. See for yourself by taking a closer look at what the 100 Series cutterbar has to offer.

- 1. Withstands the highest loads:** special high-capacity bearings fitted in a one-piece sealed housing are not subject to distortion.
- 2. Increased service life:** disc pinion shaft bearings endure radial forces for maximum bearing life. This optimum position improves the load balance.
- 3. Protection should an obstacle be struck:** the Protectadrive system is designed to protect the cutterbar gear train and minimizes the risk of downtime.
- 4. High wear resistance:** knife attachment hardware is fully protected. For added safety, heat treated steel cups are welded to the disc.
- 5. Minimum wear or distortion risks:** idler gear fasteners are located in heat treated steel cups. Correct alignment is ensured without the risk of distortion.
- 6. Long-term reliability:** large-diameter gearwheels in high-tensile forged steel with reinforced teeth.
- 7. Perfect sealing:** top-quality o-rings used on cutterbar bearing housings for a perfect, leak-free seal.

*Found on GMD 16/20/24/28/240/280/310*



### MINIMIZED DOWNTIME

- The disc bearing station can be removed and mounted quickly and easily. A possible repair is carried out at reduced costs from the outside with minimum downtime.
- Total safety in case an obstacle is struck: the threaded pins of the disc housings are solidly linked to the upper half casing. There is no weak point or risk that they could be ripped out.



# SIMPLE DESIGN, SUPERB CUTTING QUALITY

The new GMD Select Series is an all-new evolution of existing Kuhn mowers for small and mid-sized farms. These mowers with working widths from 5'3" to 9'2" combine a simple structure with key features, resulting in a clean and even cut. As standard, all models are equipped with the proven reliability of the 100 Series cutterbar.



## HOW TO ENSURE A CLEAN AND EVEN CUT

### CUTTERBAR FOLLOWS TERRAIN CHANGES INSTANTANEOUSLY

The distance between the cutterbar and the rear tractor wheels is very short. This enables the cutterbar to quickly react to changes of the terrain. Therefore, the cutting height remains uniform.



### DOESN'T RECUT CROP

The shape of the discs allows for a quick transfer of crop rearward allowing the crop to quickly be formed into a swath. A recut of the grass is therefore avoided. As crop leaves the cutting area, no outside support greatly reduces the chance of crop wrapping.



### OUTER SWATH WHEEL FOR PERFECT SWATH FORMATION

The swath wheel is mounted behind the outer cone and functions to separate cut crop from uncut crop allowing the right tractor wheels to drive over the ground instead of the previously cut crop. Swath wheel advantages over a swath board also include:

- It fits entirely under the curtain
- It is not in contact with the ground
- Damage by backing or turning sharply is eliminated



### SUSPENSION SPRING FOR ACCURATE GROUND ADAPTATION

The suspension spring allows accurate adaptation of cutterbar flotation to ground contours. The flotation spring tension is determined by adjusting the main frame height using the tractor's 3-point lift.



### ARTICULATED UNIT TO FOLLOW CONTOURS CLOSELY

The articulated cutting unit follows ground contours with maximum accuracy, even when mowing banks or ditches.



### SAFETY BREAKAWAY MECHANISM

Should an obstacle be struck, the safety breakaway causes the mower unit to swing slightly backwards. The impact is significantly reduced. You can reset the device simply by reversing.



### PTO SHAFT WITH OVERRUNNING CLUTCH

A PTO shaft with overrunning clutch is recommended if the mower is attached to a tractor with an automatic, hydraulic PTO brake. An overrunning clutch is standard on the GMD 28.



### STANDARD DISCS

Standard discs allow for clean cutting and quick crop evacuation. Beveled reversible knives are standard. Ribbed knives are available for rocky conditions.





# THE REFERENCE ON THE MARKET FOR A REASON

As successors of the proven Kuhn GMD 600 – 800 mowers, the new GMD 240, 280 and 310 models offer increased durability, more features and simpler operation.



## FOR OUTSTANDING CUT QUALITY

### EVEN FLOTATION OVER THE ENTIRE CUTTERBAR

A heavier compensating spring ensures that the cutterbar will operate with optimum ground pressure through a wide range of terrain and contours.



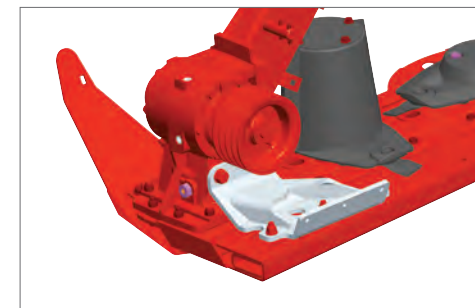
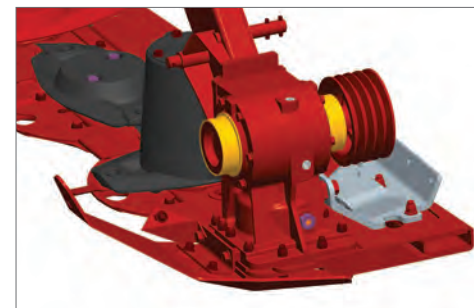
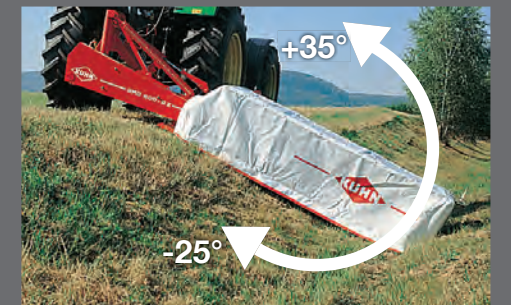
### CLEVER DESIGN FOR BETTER ERGONOMICS

The lift and suspension system allows both the cutterbar and the inner shoe to be raised off the ground using only the mower's hydraulic cylinder, simplifying operation and increasing productivity. The tractor's 3-point hitch stays at the same preset height.



### FULL RANGE OF OPERATING ANGLES

Through the design of the mowing unit articulation, mowing banks and terraces is possible at a tilt angle up to 35° and down to -25°, depending on the model.



### SMOOTHER OPERATION ON HEADLANDS

To limit the mowing unit lift in headland turn position, a hydraulic shut-off valve is used. This enables smoother operating and increased structure life.

### WITHSTANDS INCREASING CONSTRAINTS

In order to better withstand strains during work and transport, a reinforced attachment frame has been introduced on all models. It is capable of withstanding 70% more stress, which can occur if used in difficult field conditions.

### COVER FRAMEWORK

The redesigned curtain and frame simplifies maintenance access to the cutterbar while increasing durability when mowing around field edges.

### REINFORCED PIVOT POINTS

The main articulations of these machines have been redesigned to further meet long-term use. The cutterbar is articulated on bronze bushings on all models.

### HEAVY-DUTY LINK BETWEEN GEARBOX AND CUTTERBAR

A reinforcement bracket links the bevel gearbox to the rear cutterbar stiffener. This provides over 40% additional strength.

### GOOD CLEARANCE BETWEEN CUT AND UNCUT AREAS

The outside swath wheel provides greater definition between cut and uncut crop to prevent recutting. It allows the inside tractor wheel to run on an area without crop during the next pass.



# FROM WORK TO TRANSPORT IN THE BLINK OF AN EYE



## PRACTICAL FEATURES TO SAVE TIME DURING WORK



### SEMI-AUTOMATIC BELT TENSION

This system simplifies maintenance and accurately adjusts for increased belt service life.



### ONE TOOL FOR ALL ADJUSTMENTS

One tool, supplied with the mower and stored in an integrated toolbox, can perform all of the following tasks:

- Adjustment of the flotation spring
- Unlocking the safety cover
- Belt tension adjustment
- Replacement of knives (if bolted)



### NO TIME TO LOSE

To save time during the busy hay season, the GMD 240, 280, and 310 are equipped with a drive shaft with 100-hour greasing intervals. Only four zerkers require greasing.



## Retain the resale value of your machine!

Should an obstacle be encountered, the safety breakaway allows the mower to swing slightly rearwards, significantly reducing the impact load on the cutterbar. The device is simply reset by backing up.



### CHANGE TO TRANSPORT POSITION FROM THE CAB

The GMD 240 – 310 can be pivoted hydraulically into transport position via an optional pivot cylinder. This means that changing from work to transport mode has never been easier. You will especially appreciate the time saved when working in small fields.



### HEAVY-DUTY (HD) DISCS

These discs offer a service life that outmatches all other discs on the market and are adapted to intensive mowing conditions. The GMD 240 – 310 mowers are equipped with heavy-duty discs as standard. Beveled knives are standard and ribbed knives are optional.



### FAST-FIT DISCS

The GMD 240, 280 and 310 mowers can be equipped with Fast-Fit knives in an optional kit. They allow the operator to rapidly change knives in the field. Fast-Fit is only possible on standard discs, which is included in the kit.





# FEATURES FOR CLEAN FORAGE AND PERFECTLY STRUCTURED SWATHS

Clean hay and silage with high nutritional value is the key to increase your herd's productivity. Kuhn offers several standard and optional features that allow the swath to be tailored to what best suits your specific needs.



## FOR AN IMPROVED COMPLIANCE OF TRACTOR AND MOWER!



### STANDARD: OFFSET CAPABILITY

To ensure a full cutting width when the mower is attached to tractors with various track widths, the GMD 240 to 310 have an offset range of 2" (50 mm) to the left and to the right.



### OPTION: GREATER OFFSET CAPABILITY

An extended left hitch pin is available that enlarges the offset of the GMD 240 to 310 up to 8" (200 mm) to the right.



### QUICK-HITCH READY!

The GMD 240, 280 and 310 models are compatible with tractor attachments, equipped with a Quick-Hitch frame, category 2. Quick-Hitch must meet current ASABE specifications.



### STANDARD: OUTER SWATH WHEEL FOR PERFECT SWATH FORMATION

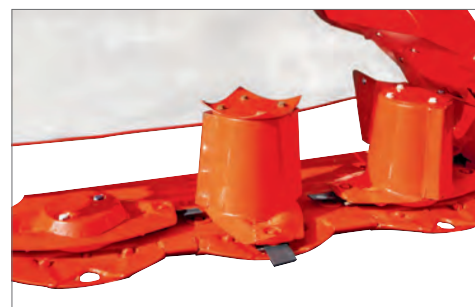
A swath wheel is mounted behind the outer disc cone and separates cut from uncut crop allowing the right tractor wheels to drive over the ground instead of the previously cut crop. Swath wheel advantages over a swath board include:

- It fits entirely under the curtain.
- It has no ground contact.
- Damage by backing or turning is eliminated.



### OPTION: INNER SWATH WHEEL FOR GMD 24 AND 240

This wheel reduces the swath width on the GMD 24 and 240 to approximately 4'11" - 5'3" (1.5-1.6 m).



### OPTION: SECOND INNER HIGH CONE FOR GMD 28 AND 280

To reduce swath width on these mowers, the second flat disc is replaced with a high cone that reduces the swath width to approximately 5'7" - 5'11" (1.7-1.8 m).



### OPTION: EXTENDED INNER SWATH WHEEL FOR GMD 28 AND 280

Used in connection with the second high cone, the inner swath wheel on the GMD 28 and 280 will reduce the swath to approximately 4'11" (1.5 m).



### OPTION: CUTTERBAR LIFTING SKIDS

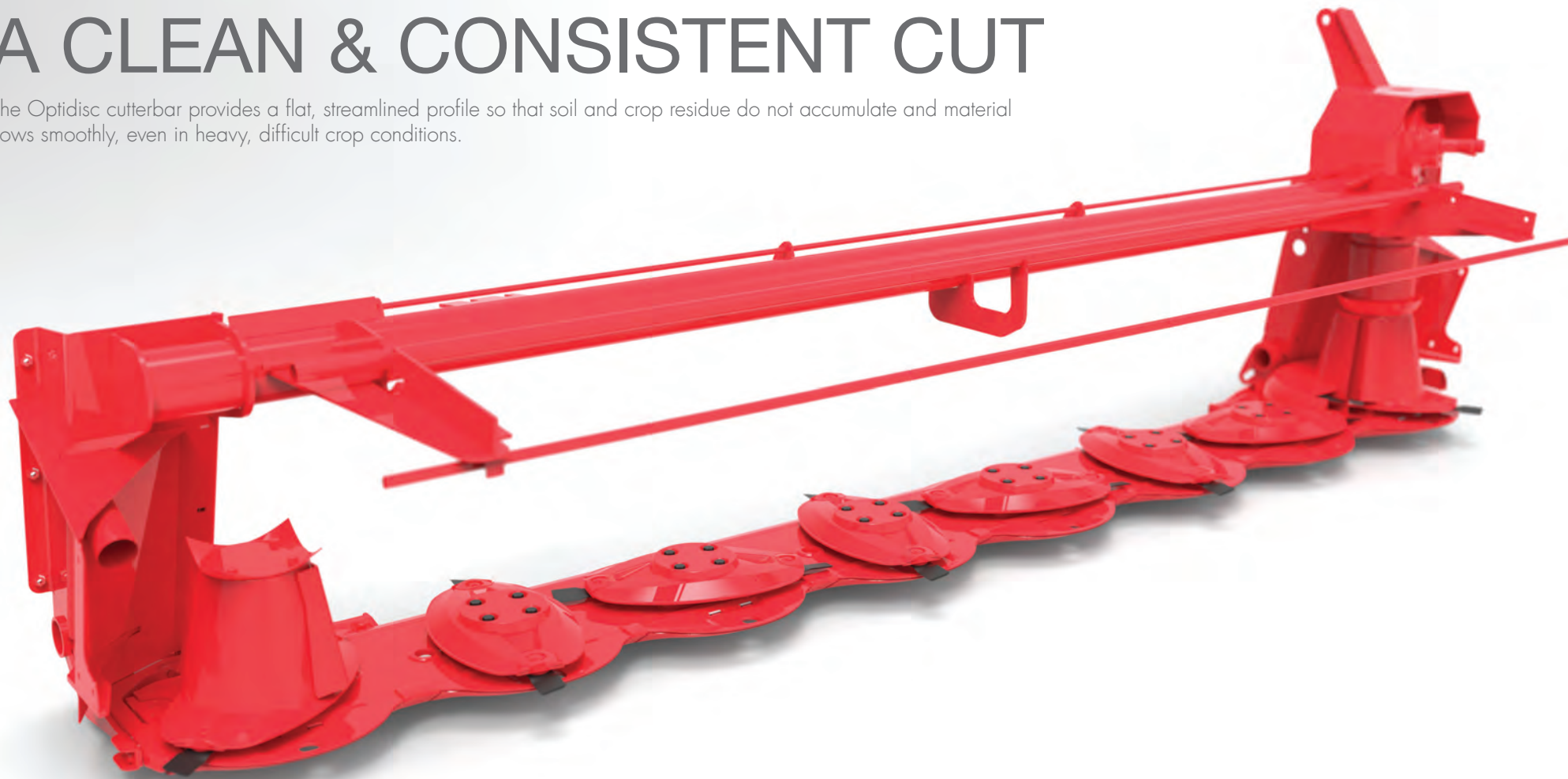
These lifters are available for mowing conditions which require elevated cutting heights. Up to 3 1/2" (90 mm) are possible. They will also prove useful in wet and sticky mowing conditions.



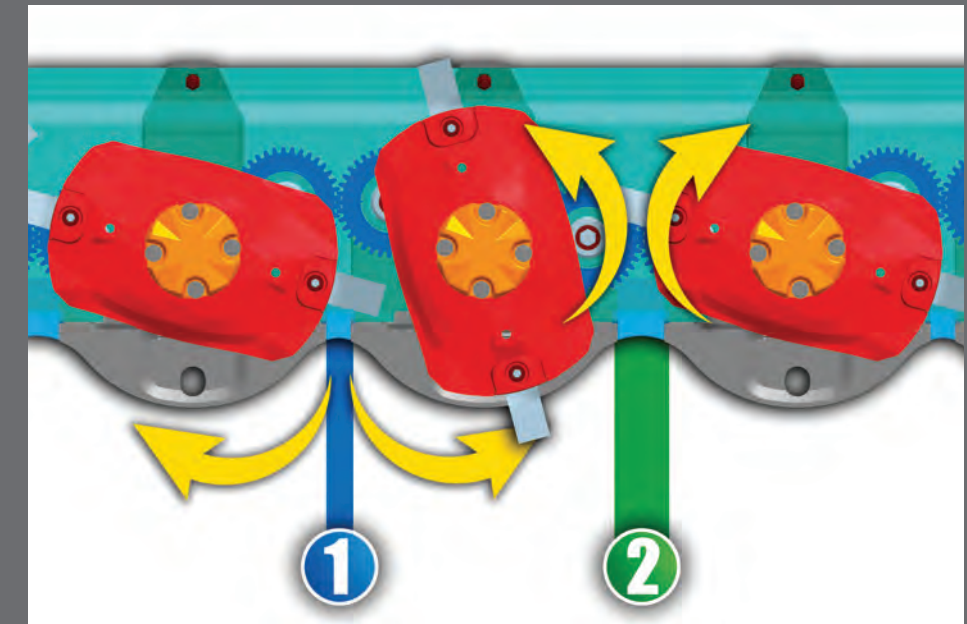


# THE OPTIDISC CUTTERBAR: A CLEAN & CONSISTENT CUT

The Optidisc cutterbar provides a flat, streamlined profile so that soil and crop residue do not accumulate and material flows smoothly, even in heavy, difficult crop conditions.



## THE OPTIDISC CUTTERBAR



### 1. LESS DISTANCE FOR A CLEAN CUT

At the point where the discs diverge, the distance is reduced to increase the knife overlap which results in a clean cut, even when the grass is short or light.

### 2. MORE DISTANCE FOR EASY CROP PASSAGE

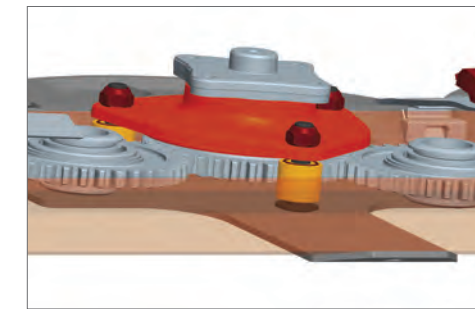
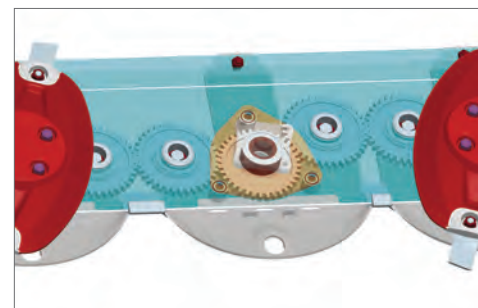
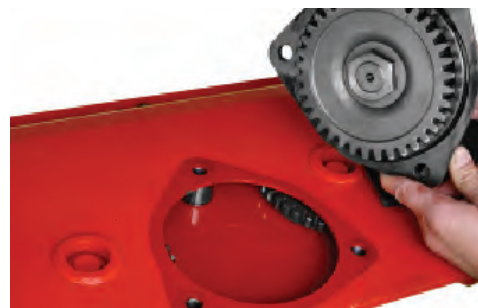
At the point where the discs converge, the distance is increased thus more space is provided for the crop to pass. Cut crop is quickly carried away from the cutting area, greatly improving the cut quality.

### NO MORE OIL CHANGES

Optidisc cutterbars are designed and tested with a zero oil change interval. So you can forget having to worry about cutterbar oil changes.

### FAST-FIT CAPABLE

The GMD 350-3511/4011/4411 can be made Fast-Fit (rapid knife change) through Kuhn Parts. See your dealer for details. GMD 3511, 4011 and 4411 are standard with Fast-Fit knives.



### NARROW PROFILE

By manufacturing a fully welded gearcase and straight-toothed gears, the Optidisc has an ultra-narrow profile. This allows for a wide range of cutting heights with very little to no cutterbar tilt, helping create a clean, consistent cut with little impurities.

### GEAR-TO-GEAR RELIABILITY

Gear-to-gear power transmission, a staple of all Kuhn disc mowers, allows for maximum power transmission. Unlike other gear cutterbars, equal-sized gears throughout reduces torque back on gear teeth and leads to unsurpassed reliability and longevity.

### PROTECTADRIVE SAFETY

Every minute saved during the hay season is precious. In the event of an impact between a disc and an obstacle, the shaft holding the disc can shear just above the bearing. This is thanks to its carefully dimensioned shear groove. As a result, the gear teeth are protected.

### EASY TO REMOVE

Intermediate idler gears are easy to access. Simply remove the adjoining Protectadrive disc bearing station.

### EXTRA RIGIDITY WHERE IT COUNTS

Disc bearing stations are attached by bolts that pass through the entire cutterbar. The attachment is exceptionally strong and secure, with no risk of the mount being torn out of the cutterbar. The disc drive pinion is held precisely in place. Thanks to spacers with o-rings, there are no leaks. All of these features provide excellent reliability and reduced repair costs.





GMD 3511 / 4011 / 4411

# MAXIMUM PRODUCTIVITY & VERSATILITY IN A MOUNTED MOWER

When an operation requires wide working widths with a mounted mower, the 11 Series horizontal fold machines are the answer. With an industry-leading suspension system to significantly limit dirt uptake, combined with horizontal folding for increased safety and flexibility, the 11 Series can increase your bottom line.



## CONTROL WITH CONFIDENCE

Control of the mowing head is easy and precise. The hydraulic requirements have been minimized to reduce reaction times and a single hydraulic valve is all that is required to raise and lower the mowing head. The minimum lift clearance of 16" (40 cm) easily clears obstructions and already cut crop.



## ACTIVE NON-STOP BREAKAWAY

No one can afford to damage their mower during the peak hay season because of a forgotten or unnoticed obstacle. The mowing head will pivot up to 25° to the rear. At the same time, the mowing head will lift to clear the obstruction and then automatically reset to the original mowing position. There is no need to stop and reverse to reset the mower.



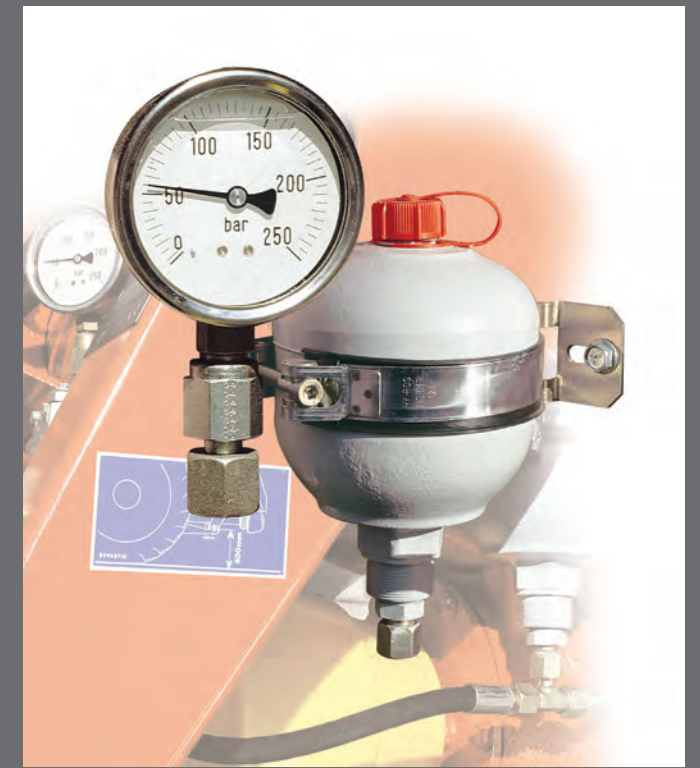
## CENTRAL ARTICULATION

A suspension system's performance is compromised if the weight distribution across the ground is not uniform. With the Lift-Control® range, the mowing head is suspended at the center of gravity point to ensure even weight distribution and a high-quality cut across the entire width.



## SAFETY DURING TRANSPORT

When folded for transport the cutting head is centered directly behind the tractor. This facilitates greater ease when engaged in road transport. Twin mechanical locks fix the cutting head when in transport to securely hold the head in position. It's important to ballast the tractor correctly for safety when in transport.



## THE KEY TO THE SYSTEM: KINETICS

The Lift-Control® device is much more than just a suspension system with a nitrogen accumulator replacing the traditional spring. The principal advantage of this system is derived from the exclusive way in which the kinetic forces that act on the cutterbar are utilized.

Kuhn engineers have succeeded in making a dynamic suspension system as opposed to the passive system commonly used. With the Lift-Control® system, as the force exerted on the cutterbar increases, the suspension system automatically lightens the cutterbar. The greater the force, the lighter the cutterbar.

Benefits include:

- Constant ground pressure
- Non-stop safety breakaway
- Excellent terrain following
- Less soil in the crop
- Minimize torn up turf

Additionally on the GMD 4011 and 4411, a hydro-pneumatic suspension system is installed to absorb bumps and jolts during transport providing more stability for improved control.





# TRAILED SIMPLICITY & VERSATILITY

These trailed mowers offer high working rates, simple adjustments and low maintenance for dependable grass and forage harvesting. They provide easier tractor attachment as well as improved cutterbar flotation and contour following compared to fully mounted models. The trailed design also lowers the tractor ballast requirement, allowing use with smaller tractors, while maintaining excellent stability in both work and transport.



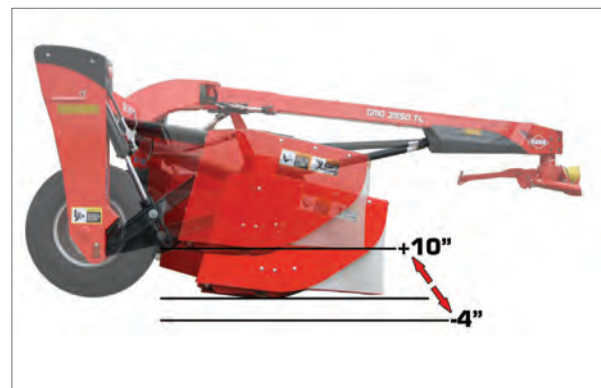
## SUPERIOR MANEUVERABILITY

The heavy-duty Gyrodine® gearbox is designed to withstand the most severe pull-through force from the hitch to the machine. The swivel design allows turns in excess of 90° while keeping the PTO driveline straight. This design allows extremely tight turns for clean, square corners while minimizing PTO vibration and wear.



### CONSTANT FLOAT® SUSPENSION

The header is suspended on each side by a long, large-diameter spring that provides a constant range of flotation. The floating head lifts up and back, and oscillates from side to side, to closely follow ground contours and conform to irregular terrain. This reduces the amount of missed crop in the field and helps keep dirt out of the harvested crop.



### PRO-ACTIVE LIFT®

This maintenance-free system allows the machine to quickly adapt to abrupt changes in terrain or when an obstruction is encountered in the field. The cutting head is able to move up and back simultaneously, dissipating the force of any impact and providing space to clear the obstacle. This unique design reduces scalping to preserve crop stubble and helps protect the machine from potential damage. A slotted linkage on each side provides guidance for the header and eliminates the need to run the hydraulics in the float position.



### QUICK HITCH COMPATIBLE 2-POINT

The CAT 2/3N quick hitch compatible 2-point hitch provides a fully controlled connection and allows easy adjustment to maintain a level PTO. It also provides more ground clearance for previously mowed crop to pass through. Connecting arms pivot during hookup for easy alignment. All connecting quick hitches must meet current ASABE specifications.



### SIMPLE DRAWBAR HITCH

The drawbar hitch is easy to hook up and the heavy-duty build provides dependability and long life. The built-in swivel allows movement in three dimensions to easily adapt to uneven field conditions.





**GMD 5251 TC**

## MOW WIDE, MOW FAST, MOW CLEAN

The new GMD 5251 TC center pivot disc mower adds to the range of trailed GMD models with 17'1" of working width. This machine provides high work output and is perfectly adapted to medium-sized tractors. This model features the lubed-for-life Optidisc® cutterbar equipped with the Fast-Fit® quick knife attachment system. All discs are driven from the center of the cutterbar which simplifies drivelines and significantly reduces maintenance. The integrated narrow transport system allows for rapid transition from field to field and improved safety on the road.

\*Note: All North American machines are standard with steel side sheets like pictured above.



### ATTACHMENT

The central attachment with the Gyrodine® swivel hitch provides increased output during the mowing process and provides ease when completing complex turns. Choose between a drawbar swivel hitch or a 2-point attachment.



### CENTER PIVOT

With a center pivot, the mower is able to get all the hay to the left, right or anywhere in between for maximum productivity.



### CENTRAL DRIVE

The gearbox drives the central discs of the cutterbar reducing stress on the cutting unit. The two drums separate the crop flow to form two swaths if desired. A wide (13' 1") continuous swath can be formed for maximum drying.



### SUSPENSION ADJUSTMENT

Changing header weight is ultra easy with the standard adjustment handle (1 per side).



### EXCELLENT GROUND FOLLOWING

To adapt to high mowing speeds: the positive angle movement of the mowing unit connecting arms and the four flotation springs ensure superb ground following. The slotted linkage eliminates the need for a hydraulic float valve on the tractor.



### RAPID AND EASY TO USE LENGTHWAYS TRANSPORT SYSTEM

Rapidly transition from transport to field and back. Practical, fast and easy to maneuver on roads and access fields with narrow gates.





# INGENIOUSLY SIMPLE DESIGN & FAST SERVICE



Simple and easy access to change knives keeps your efficiency high. For the GMD TL - 11 total zerks requiring greasing every 50 hours. GMD TC - 14 total grease zerks 7 every 20 hours and 7 every 50 hours.



## CONVENIENT HEIGHT ADJUSTMENT

Height change adjustments are fast and simple, and do not require tools. Cutting height is set using a special turnbuckle that adjusts easily with only modest effort. A convenient gauge on the turnbuckle shows the cutting height for precise field adjustments. On GMD 5251 TC machines, the turnbuckle is located on the right side.



## MAINTENANCE-FREE DRIVE SHAFT

Unlike competitive models that require daily greasing, the drive shaft to the cutterbar uses maintenance-free U-joints. These joints reduce overall maintenance and eliminate excessive wear from improper maintenance.

Note: GMD TL cutterbar is shown. The GMD 5251 TC uses new style Optidisc® discs with standard Fast-Fit® knives.

Customized to Fit Your Operation

# OPTIONAL EQUIPMENT



## 1000 RPM DRIVE

An optional 1000 RPM PTO offers flexibility for the customer to run the mower with a larger tractor and provides dependable operation in varied conditions. Standard on GMD 5251 TC.



## CV SECONDARY PTO SHAFT

For flexibility to steer around obstacles in the field with the mowers' hydraulic swing cylinder, or to mow directly behind the tractor without PTO chatter, a secondary PTO shaft equipped with a constant velocity joint can be factory ordered or field installed. Not required on GMD 5251 TC.



## PLASTIC ROCK GUARD

A HDPE (high-density polyethylene) rock guard can be mounted on the underside of the front hood for added protection in rocky conditions. Currently not available on GMD 5251 TC.



## HIGH-LIFT SKID SHOES

For customers requiring a higher cut height for certain crops or when cutting in rocky conditions. The skids are adjustable for cutting between 2.1" - 6". GMD 5251 TC are compatible with these skids, 2 kits must be ordered.



## Model Specifications

	<b>GMD 16</b>	<b>GMD 20</b>	<b>GMD 24</b>	<b>GMD 28</b>	<b>GMD 240</b>	<b>GMD 280</b>	<b>GMD 310</b>	<b>GMD 350</b>
<b>DIMENSIONS</b>								
Working Width	5'3"/1.6 m	6'7"/2 m	7'10"/2.4 m	9'2"/2.8 m	7'10"/2.4 m	9'2"/2.8 m	10'2"/3.1 m	11'6"/3.5 m
Number of Discs with Protection Skids (Treated Steel)	4	5	6	7	6	7	8	8
Removable Disc Bearing Stations	Standard	Standard	Standard	Standard	Standard	Standard	Standard	Standard
Type of Cutterbar	100 Series	100 Series	100 Series	100 Series	100 Series	100 Series	100 Series	Optidisc
Type of Disc	Standard	Standard	Standard	Standard	Heavy-Duty	Heavy-Duty	Heavy-Duty	Optidisc
Gear Train Protection	Protectadrive	Protectadrive	Protectadrive	Protectadrive	Protectadrive	Protectadrive	Protectadrive	Protectadrive
Suspension	By Spring	By Spring	By Spring	By Spring	By Spring	By Spring	By Spring	Hydro-Pneumatic
Safety	By Mechanical Lock	By Mechanical Lock	By Mechanical Lock	By Mechanical Lock	By Mechanical Lock	By Mechanical Lock	By Mechanical Lock	By Mechanical Lock
Knife Attachment	By Bolts	By Bolts	By Bolts	By Bolts	Bolts	Bolts	Bolts	Bolts
Average Swath Width	3'7"/1.1 m	4'7"/1.4 m	5'7"/1.7 m	6'7"/2 m	5'7"/1.7 m	6'7"/2 m	7'11"/2.4 m	9'2"/2.8 m
Outer Swath Wheel	Standard	Standard	Standard	Standard	Standard	Standard	Standard	Standard
Mowing Angle	+35° – -22° (-40° With Optional Kit)	+35° – -22° (-40° With Optional Kit)	+35° – -15°	+35° – -15°	+35° – -25°	+35° – -25°	+35° – -30°	+35° – -35°
Headland Turn Position	By Tractor Lift + Hyd valve	By Tractor Lift + Hyd valve	By Tractor Lift + Hyd valve	By Tractor Lift + Hyd valve	By Integrated Hydraulic Cylinder	By Integrated Hydraulic Cylinder	By Integrated Hydraulic Cylinder	By Integrated Hydraulic Cylinder
Transport Position	Vert Fold by Hyd Cylinder and Auto Lock	Vert Fold by Hyd Cylinder and Auto Lock	Vert Fold by Hyd Cylinder and Auto Lock	Vert Fold by Hyd Cylinder and Auto Lock	Vertical Folding After Manual Folding of Safety Cover or Hydraulic Vertical Back Folding	Vertical Folding After Manual Folding of Safety Cover or Hydraulic Vertical Back Folding	Vertical Folding After Manual Folding of Safety Cover or Hydraulic Vertical Back Folding	Vertical Folding After Manual Folding of Safety Cover or Hydraulic Vertical Back Folding
Attachment	3-point Cat 2	3-point Cat 2	3-point Cat 2	3-point Cat 2	3-point Cat 2	3-point Cat 2	3-point Cat 2	3-point Cat 2
Quick-Hitch Compatibility	N/A	N/A	N/A	N/A	Standard	Standard	Standard	Standard
Chain Limiter	Optional	Optional	Optional	Optional	Optional	Optional	Optional	Optional
PTO Rotation Speed (Min <sup>-1</sup> )	540 RPM	540 RPM	540 RPM	540 RPM	540 RPM	540 RPM	540 RPM (Optional 1000 RPM)	540 RPM
Primary Drive Shaft	1 3/8" (6 splines)	1 3/8" (6 splines)	1 3/8" (6 splines)	1 3/8" (6 splines)	1 3/8" (6 splines)	1 3/8" (6 splines)	1 3/8" (6 splines)	1 3/8" (6 splines)
Free Wheel	Optional	Optional	Optional	Standard	Standard	Standard	Standard	Standard
Minimum PTO Power Requirement	30 hp/22 kW	35 hp/26 kW	45 hp/26 kW	50 hp/37 kW	45 hp/34 kW	50 hp/37 kW	55 hp/41 kW	90 hp/67 kW
Necessary Tractor Hydraulic Equipment	1x SA	1x SA	1x SA	1x SA	1x SA (+ 1x DA for Optional Rear Pivoting Into Transport Position)	1x SA (+ 1x DA for Optional Rear Pivoting Into Transport Position)	1x SA (+ 1x DA for Optional Rear Pivoting Into Transport Position)	1x SA (+ 1x DA for Optional Rear Pivoting Into Transport Position)
Weight (Approximately)	925 lbs/420 kg	1,025 lbs/465 kg	1,200 lbs/544 kg	1,325 lbs/600 kg	1,350 lbs/613 kg	1,475 lbs/668 kg	1,570 lbs/711 kg	1,800 lbs/822 kg





## Model Specifications

	<b>GMD 3511</b>	<b>GMD 4011</b>	<b>GMD 4411</b>	<b>GMD 2850 TL</b>	<b>GMD 3150 TL</b>	<b>GMD 3550 TL</b>	<b>GMD 4050 TL</b>	<b>GMD 5251 TC</b>
<b>DIMENSIONS</b>								
Working Width	11'6" (3.5 m)	13' (4 m)	14'3" (4.3 m)	8'10" (2.7 m)	10'2" (3.1 m)	11'6" (3.5 m)	13' (4 m)	17'1" (5.2 m)
Number of Discs with Protection Skids (Treated Steel)	8	9	10	6	7	8	9	12
Removable Disc Bearing Stations	Standard	Standard	Standard	Standard	Standard	Standard	Standard	Standard
Type of Cutterbar	Optidisc	Optidisc	Optidisc	Optidisc	Optidisc	Optidisc	Optidisc	Optidisc
Gear Train Protection	Protectadrive	Protectadrive	Protectadrive	Protectadrive	Protectadrive	Protectadrive	Protectadrive	Protectadrive
Suspension	Lift Control Hydro-Pneumatic	Lift Control Hydro-Pneumatic	Lift Control Hydro-Pneumatic	Lift Control (Spring)	Lift Control (Spring)	Lift Control (Spring)	Lift Control (Spring)	Lift Control (Spring)
Safety	Non-Stop Continuous Flexible Hydraulic	Non-Stop Continuous Flexible Hydraulic	Non-Stop Continuous Flexible Hydraulic	Pro Active Lift	Pro Active Lift	Pro Active Lift	Pro Active Lift	Pro Active Lift
Knife Attachment	Fast-Fit®	Fast-Fit	Fast-Fit	Bolts	By Bolts	By Bolts	By Bolts	Fast-Fit
Average Swath Width	9'2" (2.8 m)	10'10" (3.3 m)	12'2"/3.7 m	5'8"/1.7 m	7'3" (2.2 m)	8'6" (2.6 m)	10' (3 m)	Single Swath: 13'1" Dual Swaths: Two 6'6" depending on crop conditions
Outer Swath Wheel	Standard	Standard	Standard	By Outer Cone	By Outer Cone	By Outer Cone	By Outer Cone	By Outer Cone
Standard Cut Height	1.2" – 2.4" (3 – 6 cm)	1.2" – 2.4" (3 – 6 cm)	1.2" – 2.4" (3 – 6 cm)	1.2" – 3.2" (3 – 8.1 cm)	1.2" – 3.2" (3 – 8.1 cm)	1.2" – 3.2" (3 – 8.1 cm)	1.2" – 3.2" (3 – 8.1 cm)	1.2" – 3.2" (3 – 8.1 cm)
Cut Height (with Optional Raised Skids)	1.4" – 3.3" (3.6 – 8.4 cm)	1.4" – 3.3" (3.6 – 8.4 cm)	1.4" – 3.3" (3.6 – 8.4 cm)	1.2" – 6" (3 – 15.2 cm)	1.2" – 6" (3 – 15.2 cm)	1.2" – 6" (3 – 15.2 cm)	1.2" – 6" (3 – 15.2 cm)	1.2" – 6" (3 – 15.2 cm)
Transport Position	Horizontal	Horizontal	Horizontal	Trailed Chassis	Trailed Chassis	Trailed Chassis	Trailed Chassis	Lengthwise Transport 9'6" wide
Attachment	3-Point Cat 2	3-Point Cat 3	3-Point Cat 3	2-Point Semi-Mounted Cat 2 or 3 or Drawbar Swivel	2-Point Semi-Mounted Cat 2 or 3 or Drawbar Swivel	2-Point Semi-Mounted Cat 2 or 3 or Drawbar Swivel	2-Point Semi-Mounted Cat 2 or 3 or Drawbar Swivel	2-Point Semi-Mounted Cat 2 or 3 or Drawbar Swivel
Quick-Hitch Compatibility	–	–	–	Yes, with 2-point	Yes, with 2-point	Yes, with 2-point	Yes, with 2-point	Yes, with 2-point
PTO Rotation Speed (Min <sup>-1</sup> )	1000 RPM	1000 RPM	1000 RPM	540 (1000 with Field Kit Conversion)	540 (1000 with Field Kit Conversion)	540 (1000 with Field Kit Conversion)	540 (1000 with Field Kit Conversion)	1000 RPM
Primary Drive Shaft	1 3/8" (21 Splines)	1 3/8" (21 Splines)	1 3/8" (21 Splines)	1 3/8" (6 Splines)	1 3/8" (6 Splines)	1 3/8" (6 Splines)	1 3/8" (6 Splines)	1 3/8" (21-Splines)
Free Wheel	Standard	Standard	Standard	Standard	Standard	Standard	Standard	Standard
Minimum PTO Power Requirement	93 hp (70 kW)	110 hp (82 kW)	120 hp (90 kW)	40 hp (30 kW)	47 hp (35 kW)	54 hp (40 kW)	60 hp (45 kW)	90 hp (67 kW)
Necessary Tractor Hydraulic Equipment	1 DA	1 DA + 1 SA	1 DA + 1 SA	2 DA	2 DA	2 DA	2 DA	2 DA
Weight (Approximately)	2,033 lbs (922 kg)	2,280 lbs (1,034 kg)	2,380 lbs (1,080 kg)	2,520 lbs (1,143 kg)	2,800 lbs (1,270 kg)	2,920 lbs (1,324 kg)	3,000 lbs (1,361 kg)	6,615 lbs (3,000 kg)



**GMD** 16 / 20 / 24 / 28 / 240 / 280 / 310 / 350 / 3511 / 4011 / 4411 /  
2850 TL / 3150 TL / 3550 TL / 4050 TL / 5251 TC

# COMPLEMENTARY PRODUCTS

## MORE PRODUCTS TO MEET YOUR NEEDS

With over 700 models of equipment, we have the most complete implement line in the industry. Whether you have a small or large operation, we have a broad range of models and options to help fit your diverse needs.



1. Mower Conditioners
2. Tedders
3. Wheel Rakes
4. Rotary Rakes
5. Balers
6. TMR Mixers

For more information about your nearest Kuhn dealer and other Kuhn products, visit our website at

[www.KuhnNorthAmerica.com](http://www.KuhnNorthAmerica.com)




Visit our YouTube channel to watch our latest product videos.

### KUHN NORTH AMERICA, INC.

Corporate Headquarters  
1501 West Seventh Avenue - Brodhead, WI 53520  
Phone: (608) 897-2131 Fax: (608) 897-2561

Our machines comply with the North American safety regulations. In our leaflets, to better illustrate certain details of the machines some safety devices could have been removed. Conforming to the assembly and operator's manual, in no circumstances must machine be operated without these safety devices in place. All machines are equipped with safety devices which comply with the regulations of the countries in which they are delivered. In the interest of progress, we reserve the right to change without notice any specifications, design or materials listed. Patents filed in several countries.

 <a href="http://www.KuhnNorthAmerica.com">www.KuhnNorthAmerica.com</a>	<p>Your Kuhn dealer</p>
---	-------------------------

Find us on

