

Hay Merger

MERGE MAXX®
MM 902



www.KuhnNorthAmerica.com



Invest in Quality®

MERGE MAXX MM 902

MAXIMIZE YOUR CROP'S VALUE

The new Merge Maxx[®] 902 hay merger is a highly flexible machine, standing out because of its ability to gently gather all types of crop while preserving maximum feed value. Three independent pickups provide a total working width of 29' 10".

PRESERVING YOUR HIGH-VALUE FORAGE CROPS

The nutritional value you of your crops, such as alfalfa, is in the leaf. Therefore, it is critical that the harvesting operation is gentle enough that the leaves are not damaged or left in the field. The pickup of a hay merger gently gathers the crop and transfers it onto the belt, keeping the leaves and stems intact.

IMPROVE YOUR FORAGE QUALITY

By preventing soil from being collected in the windrow, the risk of introducing harmful bacteria to the forage is greatly reduced. Minimizing bacterial activity during the ensiling process results in more palatable silage that will maintain its quality through a longer storage period.

INCREASE YOUR EFFICIENCY AND OUTPUT

Large quantities of crop can be put into a single windrow as a result of the MM 902's ability to deliver a windrow to the left, right or center.

Specifications in brief



Specifications	MM 902
Working Width	29'10"
Transport Width	9'10"
Number of Pickups	3
Pickup and Belt Drive	Hydraulic

DELICATE, HEAVY OR WET FORAGE CONTROL YOUR QUALITY

Hay mergers were first developed in North America. The main function of mergers differs from conventional rotary rakes, as they collect the forage with pickups and transfer it onto conveyor belts. The conveyor belts are responsible for delivering the forage into the windrow. The forage quality advantages are substantial.

Crop is not raked across the ground, but collected at the very place it was mowed or tilled, reducing leaf loss and soil incorporation into the crop. Fewer impurities and more leaves means increased feed value and a quality preserved forage.



MINIMIZE LEAF LOSS

The retention of nutrient-dense leaves should be every operator's main goal. With an expertly designed and spaced pickup, the maximum amount of leaves can be gathered with minimal ash incorporation. The standard windguard greatly reduces leaf loss when transitioning to the belt.



REDUCE ASH & ROCK INCORPORATION

By preventing soil from being collected in the windrow, the risk of introducing harmful bacteria to the silage is greatly reduced. Ash incorporation can cause the crop to ensile poorly creating silage that is unpalatable for livestock. Rocks in the windrows always mean increased component wear of the harvesting machinery. **The pickups of a hay merger reduce the number of rocks in the windrow up to 70%.**



DESIGNED TO HANDLE HEAVY CROP

Whether harvesting sorghum, rye grass or other heavy crops, hay mergers still perform well, where other types of rakes struggle. This includes the ability to move wet straw or forage and deliver it in a fluffy windrow to accelerate the drying process. The same also applies to gathering corn stalks in a windrow.



FLEXIBLE OPTIONS FOR EFFICIENT HARVESTING

Large quantities of crop can be put into a single row since the Kuhn MM 902 can deliver a windrow to either the left, right or center. This allows forage harvesting equipment to work at a higher capacity and with fewer windrows in the field. The result: less time wasted on headland turns and less ground compaction from forage wagons.

AN UNRIVALLED RANGE OF DELIVERY OPTIONS

With eight different delivery options, the Kuhn MM 902 is unique in its versatility.

This flexible machine is able to deliver windrows either to the right, left or center. As a result, it is able to merge:

- Cut forage, wide spread or in windrows
- Both light and heavy crop
- Able to gather 69'+ of crop in a single windrow (with a return pass)
- Optimized for all types of forage



1

2

3

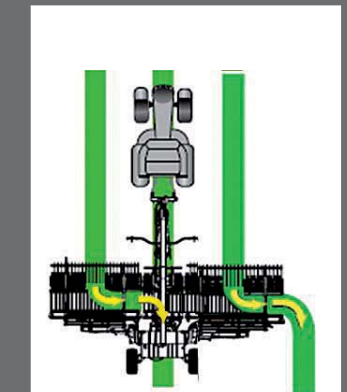
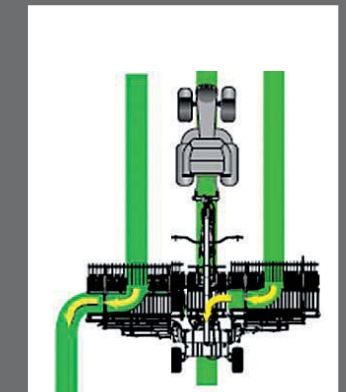
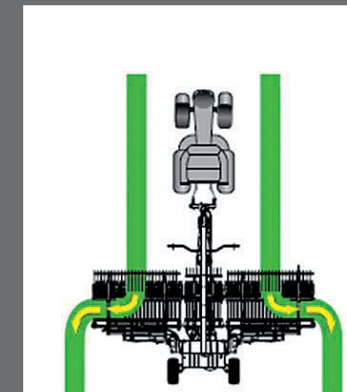
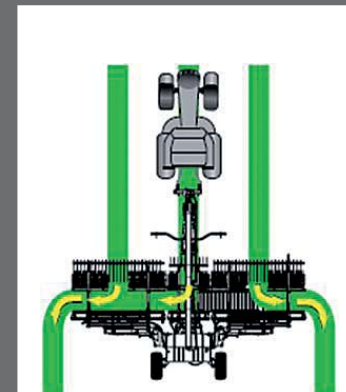
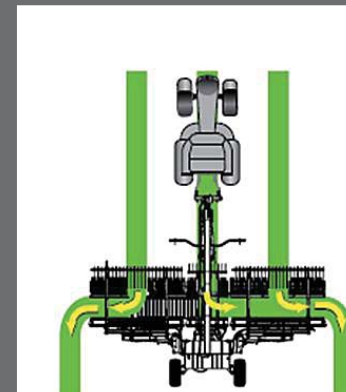
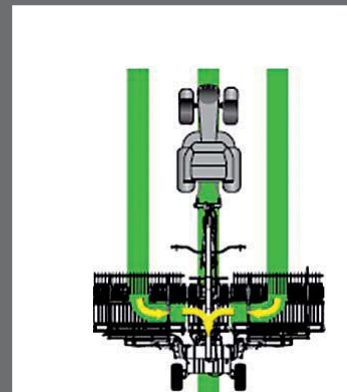
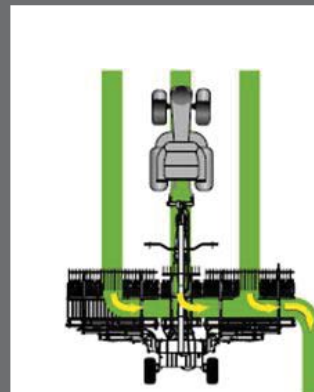
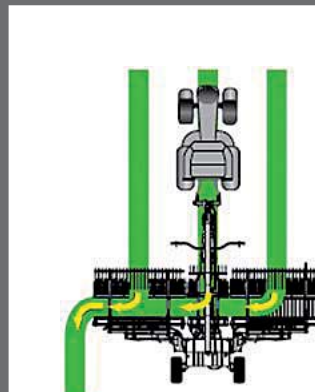
4

5

6

7

8



KUHN ADVANTAGE

1-2: 69' IN ONE RETURN PASS

If all three belts rotate in the same direction, either to the left or to the right of the machine, one single windrow is created. In this configuration, the MM 902 is able to gather 69' of crop into a single windrow in one return pass, keeping forage harvesters running at maximum efficiency.

3: CENTRAL DELIVERY

The central unit is lifted out of work and the outer belts rotate towards the center. In this way, a single windrow, gathers 29'10" in one pass, is delivered in the middle of the machine.

4-5: IF THE CROP IS TOO HEAVY FOR A SINGLE WINDROW

When working in very heavy crop, attempting to form a single windrow containing 30' of material can result in an irregular windrow. In these circumstances, the MM 902 can be setup to create two windrows using all three belts. The side belts will both rotate to the outside and the direction of the center belt is selected to allow two-thirds of the crop to be placed in one windrow and one-third in the other.

6-7-8: OPTIONS FOR VERY WET CROPS

Sometimes it is useful to move windrows around in the field – either to turn them over and promote drying or to gather more crop together for the forage harvesting machinery. Using the MM 902, the central unit can be lifted out of work and the side belts rotated outwards (6), or to the left or right (7 & 8). This provides maximum versatility and allows you to place the crop exactly where it is needed. Maximize the efficiency of your harvesting operation#



HEAVY-DUTY CONVEYORS

Commercial grade, single-ply belt conveyors allow the crop to be effectively transitioned into the windrow, regardless of discharge side. The conveyor belt is self-cleaning and requires no tracking adjustments. The quick release tensioning system simplifies storage and improves belt life by making periodic adjustments easier and therefore, more likely to be made.

PRODUCE SMOOTH & EVEN WINDROWS

LOOK AFTER THE WINDROW FORMATION

1. Increased work output:

An uneven windrow prevents the forage harvester from traveling at a constant speed. As it reaches a dense area, the operator must slow down, whereas in lighter areas he has to speed up to keep the drum full and ensure a constant crop uptake. These speed variations result in a lower average speed. This is the reason that acre-per-hour averages are considerably lower than when being able to harvest well-formed windrows.

2. Reduced driver stress:

Constantly changing forward speed results in a lower average speed than if a constant speed is maintained. It also presents a greater challenge for the truck or trailer driver who is trying to match the harvester speed to collect all the crop.

3. Less wear of harvesting machinery:

Even windrows minimize peak loads for the machine and wear on the feed roll system. They also promote more consistent crop length and help limit false tripping of the metal detection system.



EXCLUSIVE

WINDGUARD SYSTEM GUIDES CROP EVENLY ON THE BELTS

To ensure a windrow of even density without knots or ropes of crop, the MM 902 merger features a patented crop guiding system. The windguard tines guide the crop from the pickup onto the belt. This ensures that it is delivered onto the belt exactly where it was collected from the field. It is not blown along the length of the machine or "bulldozed" and rolled by the pickups. By directing the crop onto the center of the belt, a uniform and fluffy windrow is formed.



EXCLUSIVE

WINDGUARD ADJUSTMENT

The windguard position is easy to adjust using the convenient handle. This makes it easier to adapt the windguard to various volumes and types of forage, optimizing the transition of forage to the belt and forming more even windrows.

PROTECT SOIL AND CROP STUBBLE

The pickup heads are each supported by two massive skid shoes, giving the MM 902 merger a large footprint on the ground. Additionally, it ensures that its weight is spread over a large area. This ultimately:

- Minimizes soil compaction
- Avoids rutting of the field surface in soft conditions
- Reduces shock load on the machine as much as possible in hard soil conditions



IMPROVED CENTER SECTION FLOTATION

With the addition of four more springs and a new breather on the lift cylinder, the center section flotation of the MM 902 is improved. This added flotation reduces ground pressure and skid shoe wear.



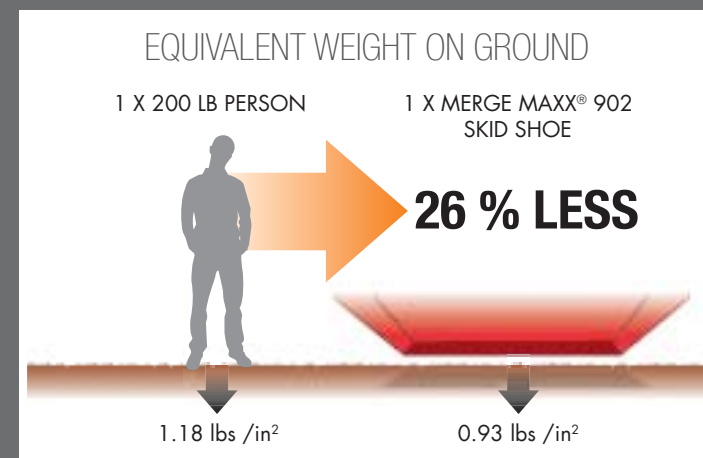
EXCELLENT GROUND FOLLOWING

The three pickups all feature a pendulum-type articulation. This allows the machine to effectively contour to the terrain over its entire width, even on slopes. The result is cleaner crop pickup and cleaner windrows to harvest.



ADAPT GROUND PRESSURE TO VARYING CONDITIONS

The skid shoes are hydraulically adjustable to easily adapt the ground pressure to varying conditions and soil types. Lower the ground pressure for fields with young and sensitive crop stubble and/or on light soils. Increase ground pressure on heavy or more solid soils, or uneven fields.



AVOID STUBBLE DAMAGE

The skid shoes are beveled on all sides to make sure that no matter which direction the machine is turning, there is never a sharp edge to dig into the field. As a result, the crop stubble is protected.



COMPLEMENTARY PRODUCTS

MORE PRODUCTS TO MEET YOUR NEEDS

With over 690 models of equipment, we have the most complete implement line in the industry. Whether you have a small or large operation, we have a broad range of models and options to help fit your diverse needs.



1. Triple Disc Mowers
2. Triple Disc Mower Conditioners
3. Tedders
4. Manure Spreaders
5. TMR Mixers
6. Grain Drills

For more information about your nearest Kuhn dealer and other Kuhn products, visit our website at www.KuhnNorthAmerica.com



Visit our YouTube channel to watch our latest product videos.

KUHN NORTH AMERICA, INC.

Corporate Headquarters
1501 West Seventh Avenue - Brodhead, WI 53520
Phone: (608) 897-2131 Fax: (608) 897-2561

Our machines comply with the North American safety regulations. In our leaflets, to better illustrate certain details of the machines some safety devices could have been removed. Conforming to the assembly and operator's manual, in no circumstances must machine be operated without these safety devices in place. All machines are equipped with safety devices which comply with the regulations of the countries in which they are delivered. In the interest of progress, we reserve the right to change without notice any specifications, design or materials listed. Patents filed in several countries.

Your Kuhn dealer



www.KuhnNorthAmerica.com

Find us on

